



1.510.524.8202 / 1.800.380.8202

Email: info@compax.com

1461 Eastshore Highway
Berkeley, CA 94710

VERTICAL BALERS

FITS INTO TIGHT SPACES OR SPACES WITH LOW CEILINGS. REDUCES RECYCLING DISPOSAL COSTS AND INCREASES WORKPLACE SAFETY. SAVES TIME AND LABOR, MAKING YOUR OPERATION BOOST YOUR BOTTOM LINE.



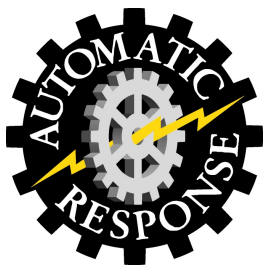
M42BC Vertical Stockroom
Baler



M60STD Vertical Baler

Automatic Response
1461 Eastshore Hwy
Berkeley, CA 94710

Phone: 800.380.8202
Phone: 510.524.8202
Email: info@compax.com



1.510.524.8202 / 1.800.380.8202

Email: info@compax.com

1461 Eastshore Highway
Berkeley, CA 94710

VERTICAL BALERS

M42BC



FEATURES:

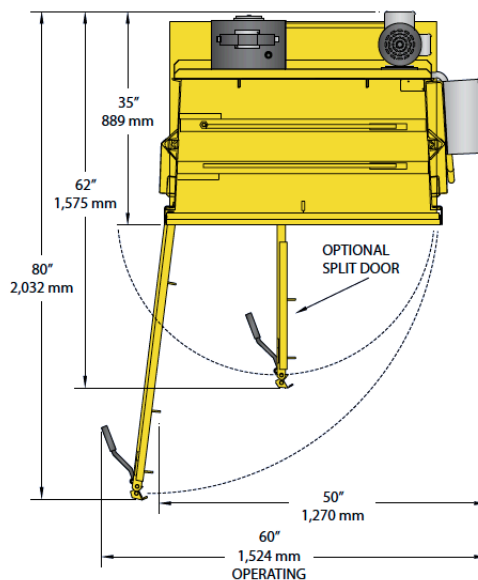
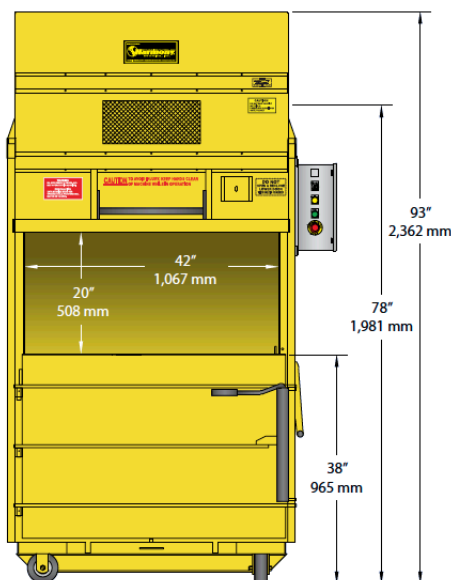
- Control Panel UL Listed
- Operates Under an 8 Foot Ceiling
- Incredibly Fast Cycle Time of Only 12 Seconds
- Easy Installation – Shipped with Casters and Can Be Rolled Through a 3' x 7' Doorway
- Energy Efficient Motor for Low Operating Costs and Long Life
- Unique Space Saving Design
- Heavy Duty Construction
- Enclosed Counterbalance for Upper Door Lifting Ease
- Easy to Service and Maintain
- Meets or Exceeds All ANSI and OSHA Safety Standards

PRODUCT SPECS

- Bale Size: 22" x 42" x up to 30" (560mm x 1067mm x up to 762mm)
- Bale Weight: Corrugated: Up to 180 lbs.
- Ram Force: 25,134 lbs.
- Cycle Time: 11 seconds
- Cylinder: 4" Bore, 1.5" Rod, 10" Stroke
- Motor: 2 HP, 1725 RPM, TEFC
- Pump: Two Stage
- Electrical Power: 115/230 Volt, 1 Phase, 60Hz,
- Bale Ejection: Manual Lever System
- Bale Tying: Wire or Twine

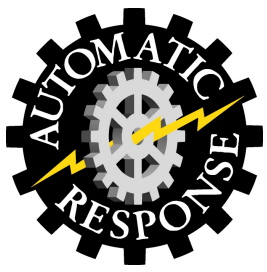
DIMENSIONS

- Loading Door Opening: 20"x 42" (508mm x 1067mm)
- Unloading Door Height: 38" (965mm)
- Overall Height: 93" (2362mm)
- Overall Depth: 35" (889mm)
- Overall Width: 50" (1270mm)
- Depth with Door Open: 80" (2032mm)
- Width with Door Open: 60" (1524mm)
- Shipping Height: 78" (1981mm)
- Shipping Weight: 1,475 lbs. (669kg)
- Required Operating Area: 32.9 Square Feet



Automatic Response
1461 Eastshore Hwy
Berkeley, CA 94710

Phone: 800.380.8202
Phone: 510.524.8202
Email: info@compax.com



1.510.524.8202 / 1.800.380.8202

Email: info@compax.com

1461 Eastshore Highway
Berkeley, CA 94710

VERTICAL BALERS

M60STD

FEATURES OF THE M60STD

- Fast 45 second cycle time reduces your work time
- Heavy-duty 6" cylinder with 4" rod for extra long life
- Formidable 56,550 pounds of ram force
- Adjustable Bale Maximizer Timer for excellent bale quality
- Standard retractable bale dogs for maximum material containment
- Standard voltage disconnect included
- Full hinge construction on lower door and latch
- Bale full light and shutoff for consistent bale sizes
- Bale height adjustment selector

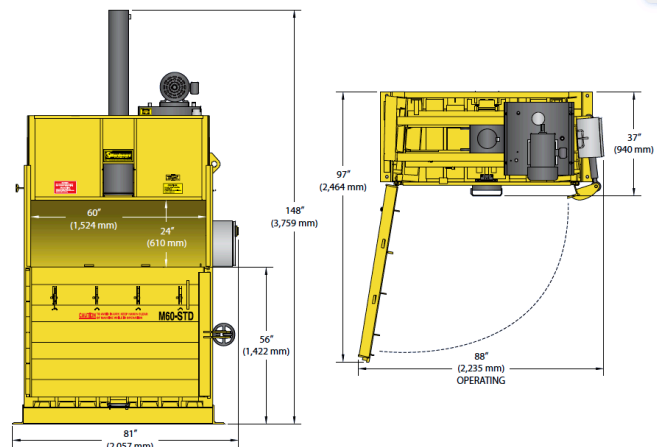


PRODUCT SPECS

- Bale Size: 30" x 60" x up to 51" (762 mm x 1,524 mm x up to 1,295 mm)
- Bale Weight (Corrugated): up to 1,100 lbs. (499 kg)
- Ram Pressure: 56,550 lbs. (25,651 kg)
- Cycle Time: 45 seconds
- Cylinder: 6" bore (152 mm) 4" rod (102 mm) 48" stroke (1,219 mm)
- Motor: 10 horsepower
- Pump: 12 gallons per minute
- Electrical Power: 208/230/460 volt, 3 phase, 60 hz
- Bale Eject: Hydraulic
- Bale: Tying Wire or banding

DIMENSIONS

- Loading Door Opening: 24" x 60" (610 mm x 1,524 mm)
- Unloading Door Height: 55" (1,397 mm)
- Overall Height: 148" (3,759 mm)
- Overall Depth: 37" (940 mm)
- Overall Width: 83" (2,108 mm)
- Depth with Door Open: 97" (2,464 mm)
- Width with Door Open: 88" (2,235 mm)
- Shipping Height (on side with cylinder extended): 83" (2,108 mm)
- Shipping Weight: 4,500 lbs. (2,041 kg)
- Installation and Operating Area: 62.5 sq. ft. (5.8 square meters)



Automatic Response
1461 Eastshore Hwy
Berkeley, CA 94710

Phone: 800.380.8202
Phone: 510.524.8202
Email: info@compax.com